

MANUAL – INSTALLATION + SERVICE

Displacement Flow Recessed Diffuser

DFR Series

v100 – Issue Date: 02/06/18

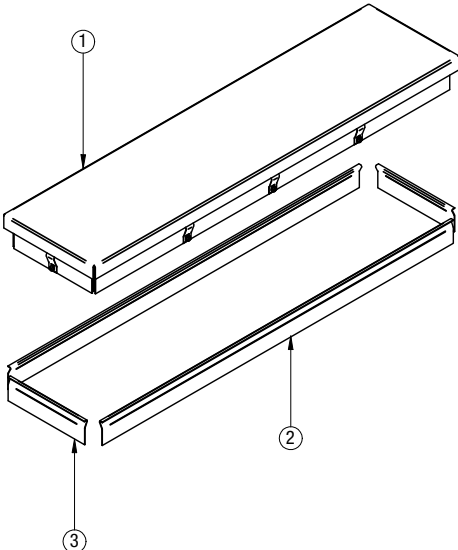
© 2018 Price Industries Limited. All rights reserved.

PRICE[®]

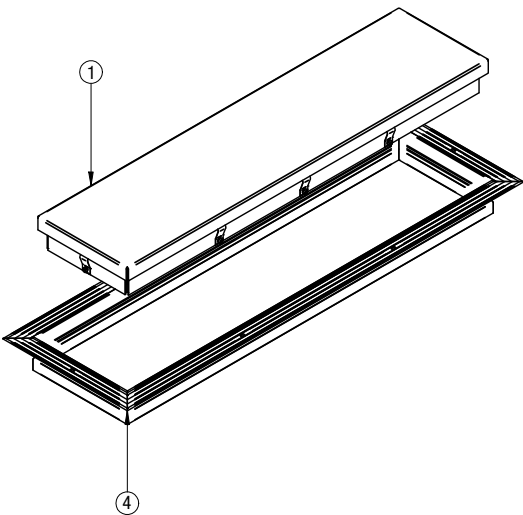
DISPLACEMENT FLOW RECESSED DIFFUSER

DFR PARTS

DFR WITH MOUNTING TAB ASSEMBLY ▼



DFR WITH MUD FRAME ASSEMBLY ▼



Item	Description
1	Displacement Flow Recessed Diffuser sub-assembly
2	Long mounting bracket
3	Short mounting bracket
4	Mud frame sub-assembly

DISPLACEMENT FLOW RECESSED DIFFUSER

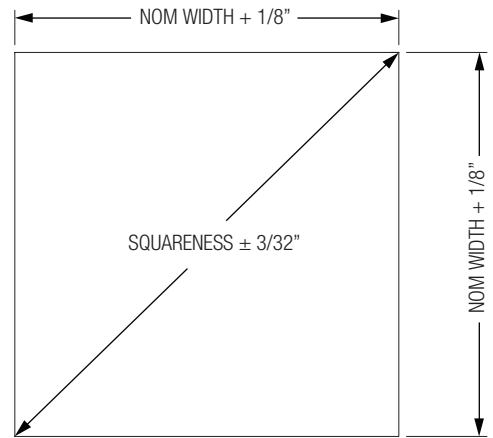
INSTALLATION INSTRUCTIONS

READ INSTRUCTIONS COMPLETELY BEFORE STARTING INSTALLATION

Single Unit - Standard Frame

1. Check the opening to ensure that squareness of the opening is within the tolerance (Figure A). If squareness is not within tolerance then correct opening.
2. Drill holes in mounting brackets as required. The mounting brackets are 1" shorter than the dimension diffuser.
3. Install mounting frame into opening with fasteners (supplied by others). Make sure fasteners are secured to a solid base (Figure B).
4. Insert DFR into the opening making sure that the mounting clips engage with the mounting brackets. (Figure C and Figure D)

FIGURE A ▼



DIFFERENCE BETWEEN DIAGONALS CANNOT EXCEED 3/16"

FIGURE B ▼

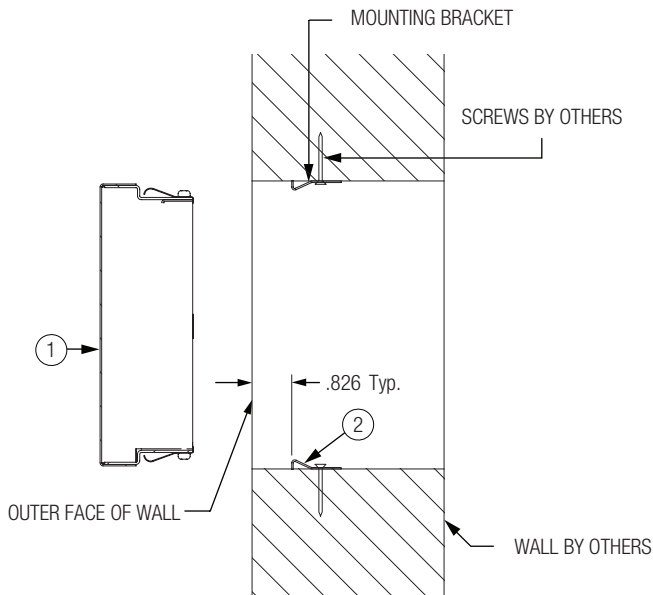


FIGURE C ▼

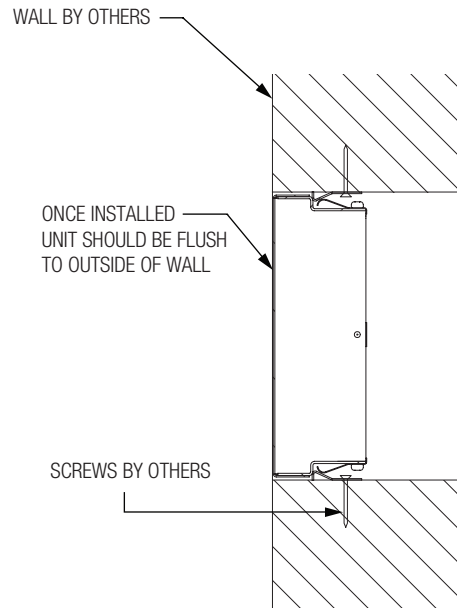


Table 1

Item #	Description
1	Diffuser x 1
2	Long Mounting Bracket x 2
3	Short Mounting Bracket x 2

DISPLACEMENT FLOW RECESSED DIFFUSER

INSTALLATION INSTRUCTIONS

Multiple Units

1. Check the opening to ensure that squareness of the opening is within the tolerance (Figure A). If squareness is not within tolerance then correct opening.
2. Drill holes in mounting brackets as required. The mounting brackets are supplied in multiple sections. The O.A. (overall length) of the brackets is 1" shorter than the O.A. dimension of all units.
3. Install mounting frames into opening with fasteners (supplied by others). Make sure fasteners are secured to a solid base (Figure B).
4. Insert DFR into the opening making sure that the mounting clips engage with the mounting bracket. Repeat for additional DFR's. (Figure D and Figure E)

NOTE: End mounting brackets are not required between multiple sections.

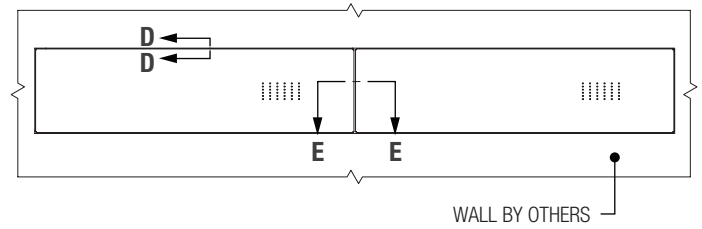


FIGURE D ▼

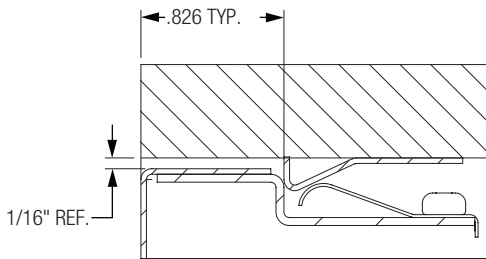


FIGURE E ▼

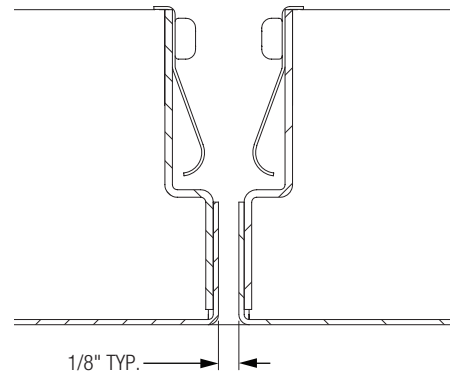


Table 2

Item #	Description	
1	Diffuser x 1	Multiply description qty. by # of sections
2	Long Mounting Bracket x 2	
3	Short Mounting Bracket x 2	2 Only

DISPLACEMENT FLOW RECESSED DIFFUSER

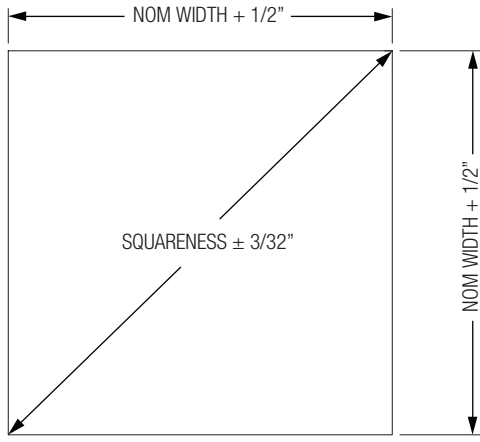
INSTALLATION INSTRUCTIONS

DFR with mud frame

1. Check the opening to ensure that squareness of the opening is within the tolerance (Figure F). If squareness is not within tolerance then correct opening.
2. Install mud frame (supplied mill finish standard) into opening with fasteners (supplied by others). Make sure fasteners are secured to a solid base (Figure H).
3. Frame to be finished in place and painted before diffuser is inserted into opening.
4. Insert DFR into the opening making sure that the mounting clips engage with the mounting brackets (Figure I).

Table 3	
Item #	Description
1	Diffuser x 1
4	Mud Frame x 1

FIGURE F ▼



DIFFERENCE BETWEEN DIAGONALS CANNOT EXCEED 3/16"

FIGURE G ▼

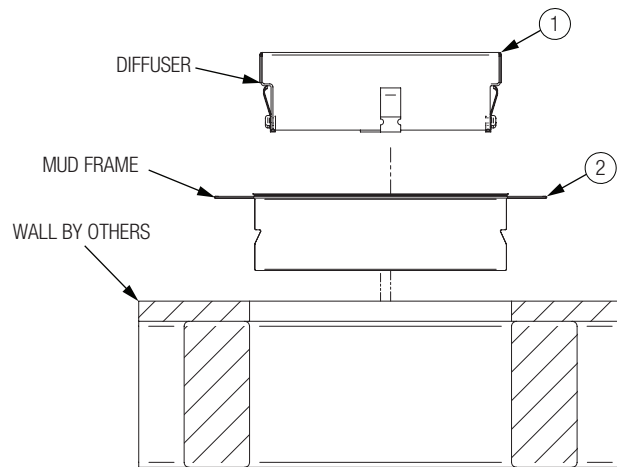


FIGURE H ▼

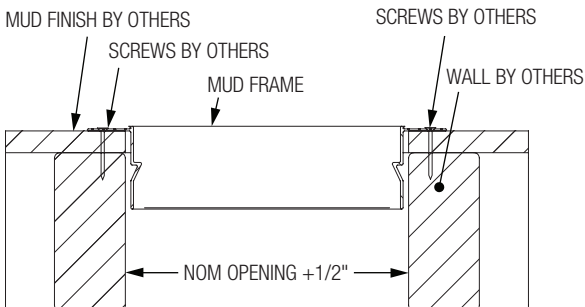
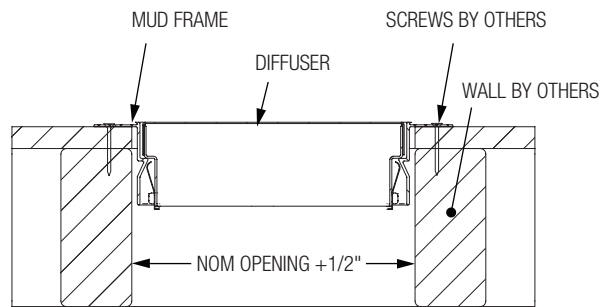


FIGURE I ▼



This document contains the most current product information as of this printing.
For the most up-to-date product information, please go to priceindustries.com.

© 2018 Price Industries Limited. All rights reserved.

PRICE[®]